

3 Mounting Holes M6x20 on 72PCD not equispaced

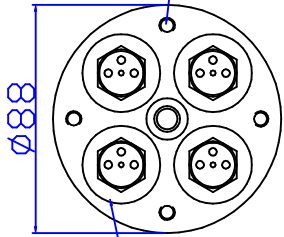
4 Mounting Holes M6x20 on 72PCD

500

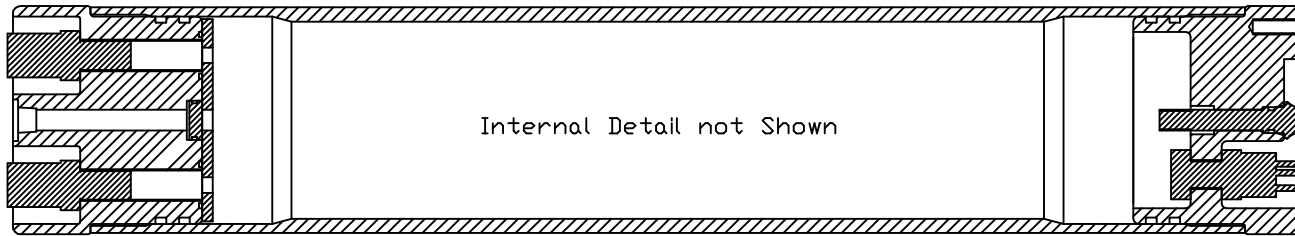
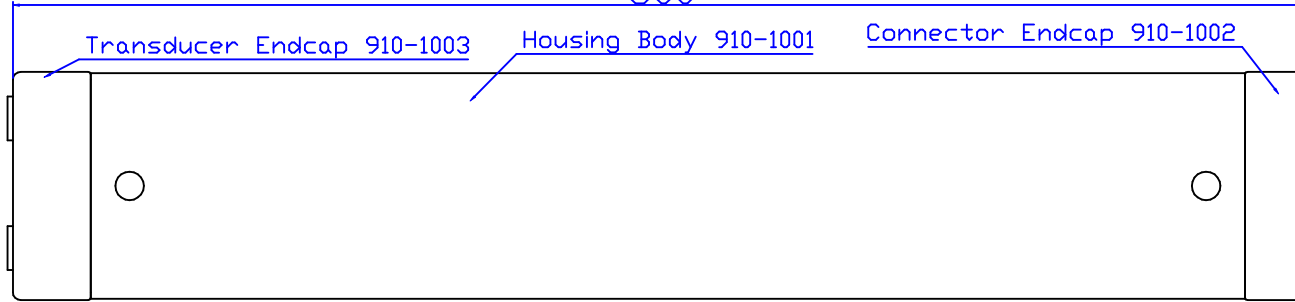
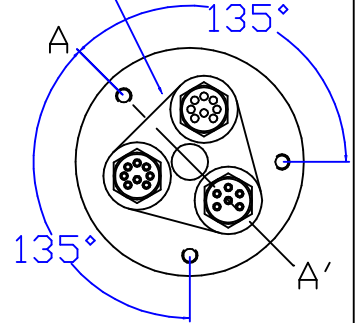
Transducer Endcap 910-1003

Housing Body 910-1001

Connector Endcap 910-1002



MCBH-3-F



Vent Screw 910-1009

Thermister

Pressure Plug 910-1013

Rubber Battery Stop

Water Block Plate 910-1010

PCB 910-0100

Battery Pack 910-1501 (Alkaline) 910-1502 (Lithium)

Mounting Bar 910-1011

Battery Plate 910-1012

Internal Bulkhead 910-1014

Manufacture from Aluminium 6082-T6  
Hard Anodised and dyed black  
40um anodising thickness

Parts

- 4xJW-72-0695-30 Main Housing o-ring
- 1xJW-72-0071-16 Vent o-ring
- 8xAnodised Aluminium M6x10 Socket Cap Screws (Housing Assembly)
- 7xAnodised Aluminium M6x20 Socket Cap Screws (Mounting Bracket)
- 2xM4x25dp Countersunk Machine Screws Stainless Steel
- 2xM4x16dp Socket Cap Screws (Stainless Steel)
- 4xM3x10dp Countersunk Machine Screws Stainless Steel
- 6xM3x12dp Socket Cap Screws (Stainless Steel)
- 1xNY-4MO-2BT Swagelok Pressure Capillary Tube Clamp
- Capillary Tube OD4mm ID0.8mm

Last Revision

ISSUE	DESCRIPTION	APPD.	DATE
A	ORIGINAL ISSUE		



High Street, Hartley Wintney, Hampshire, RG27 8NY, UK  
Tel: +44 (0)1252 843072 Fax: +44 (0)1252 843074

TITLE

AQUAscat1000  
General Arrangement

DRAWN	TRACED	CHECKED	APPROVED	DATE
SJC	SJC	AMS	AMS	20/1/06

DRAWING No.

910-010050